



Felis-W1

Tumble Washer Controller

It is an basic model for industrial washing machines designed for heavy industrial conditions. Resistant to vibration and dust. It has a total of 26 programs, 16 default and 10 user defined. It is an easy-to-use, standard series controller with its simplified Custom Design LCD display. Membrane keypad provides ease of use. The design of the control panel is customized according to the needs and designed in accordance with the brand according to customer demands.

- Fast commissioning via direct connection.
- Water level control without the need for an external sensor thanks to the on-board level sensor.
- Flexible user program support, diagnostic control and a wide list of parameters.
- Suitable for heating / steam heating.
- Suitable for Coin Operated.

Inputs / Outputs

Analog Input	Onboard Level Sensor (Hydrostatic 0-100 cm)	1
	Temperature Sensor Input (-10~100 °C)	1
Analog Output	AC Drive Control 0~10V DC	1
Digital Input	5-24V DC	4
Digital Output	250V AC 1A Relay NA	13

Programming

Program Count	16 Default Programs	26
	10 User Programs	

Felis-W1

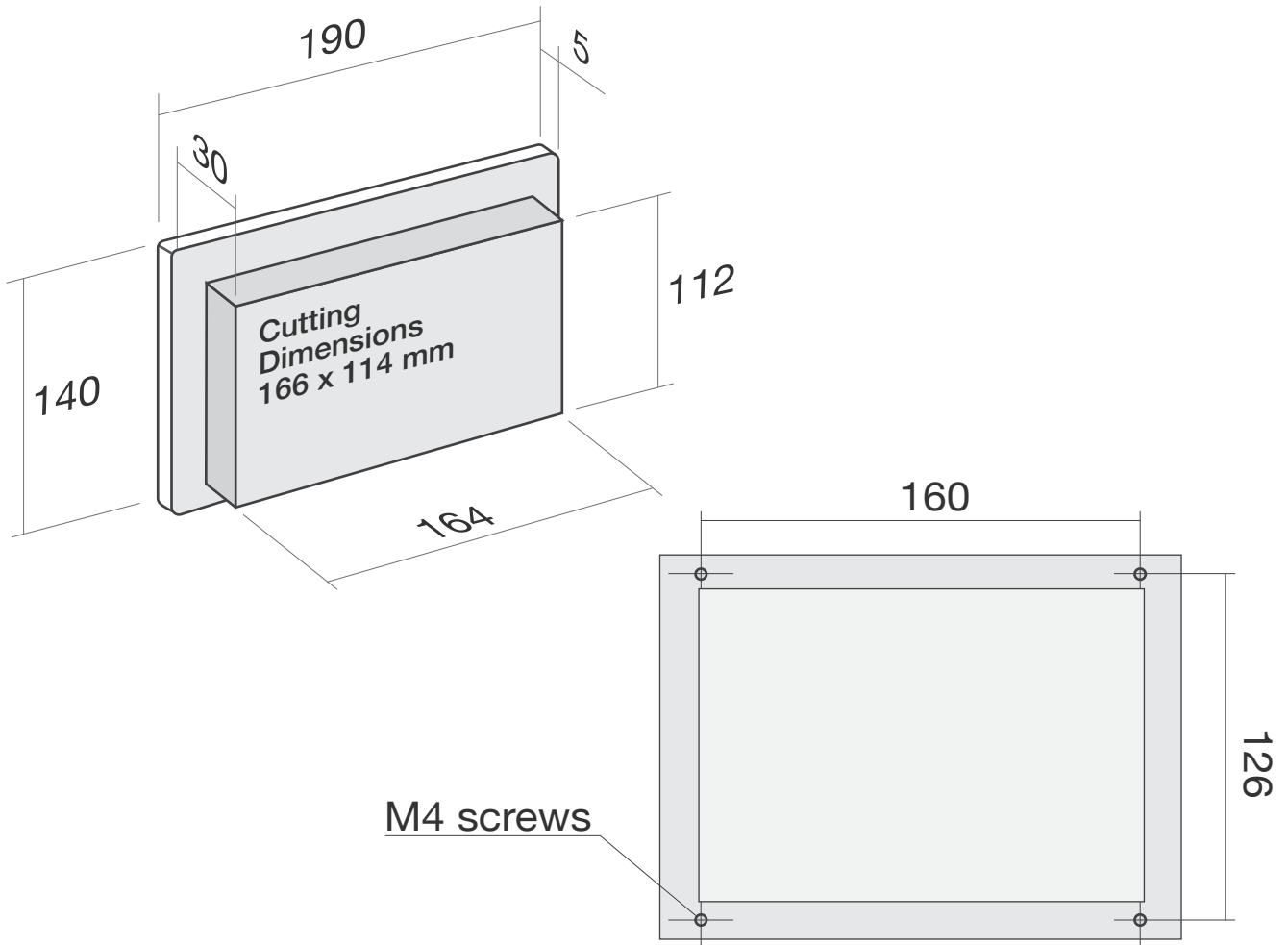
Tumble Washer Controller



Technical Specifications

Operating Voltage	12-24V AC/DC
Operating Temperature	0~60 °C
Operating Humidity	%10 - 85 (Non-Condensing)
Keyboard	7 Keys
Display	45x32 mm Custom Designed LCD

Dimensions (mm)



Konzek Technology can make changes in product specifications without prior notice.

Felis-W1

Tumble Washer Controller

