



Felis-W3

Tumble Washer Controller

It is a semi-professional serial controller with 7" LCD (800x480 RGB) screen for industrial washing machines, designed for heavy industrial conditions. Membrane keypad is easy to use. Resistant to vibration and dust. It has 100 programming capacity and 9 working stages. The design of the control panel is customized according to the needs and designed in accordance with the brand according to customer demands.

- Fast commissioning with direct connection.
- On board level sensor allows water level control (No need external sensor)
- User program support, pictures and explanations, troubleshooting, diagnostic control and flexible parameter list.
- Backup and restore via USB (programs, parameters, database, version update, etc.)
- Quick access to frequently used programs with 5 Memory keys.
- Suitable for heating / steam heating.
- Suitable for coin operated.
- Support for tilting, Helms protocol, wet cleaning, washing hold support.
- *AC AC-Drive and balance detection control via Modbus RTU. (Optional)*

Felis-W3

Tumble Washer Controller



Inputs / Outputs

Analog Input	Onboard Level Sensor (Hydrostatic 0-100 cm)	1
	Temperature Sensor Input (-10~100 °C)	1
Analog Output	AC Drive Control 0~10V DC	1
Digital Input	5-24V DC	8
Counter Input	5-24V DC 1 KHz	1
Digital Output	24V DC 1A Relay NO	16

Programming

Program Count	16 Default Programs	100
	84 User Programs	

Technical Specifications

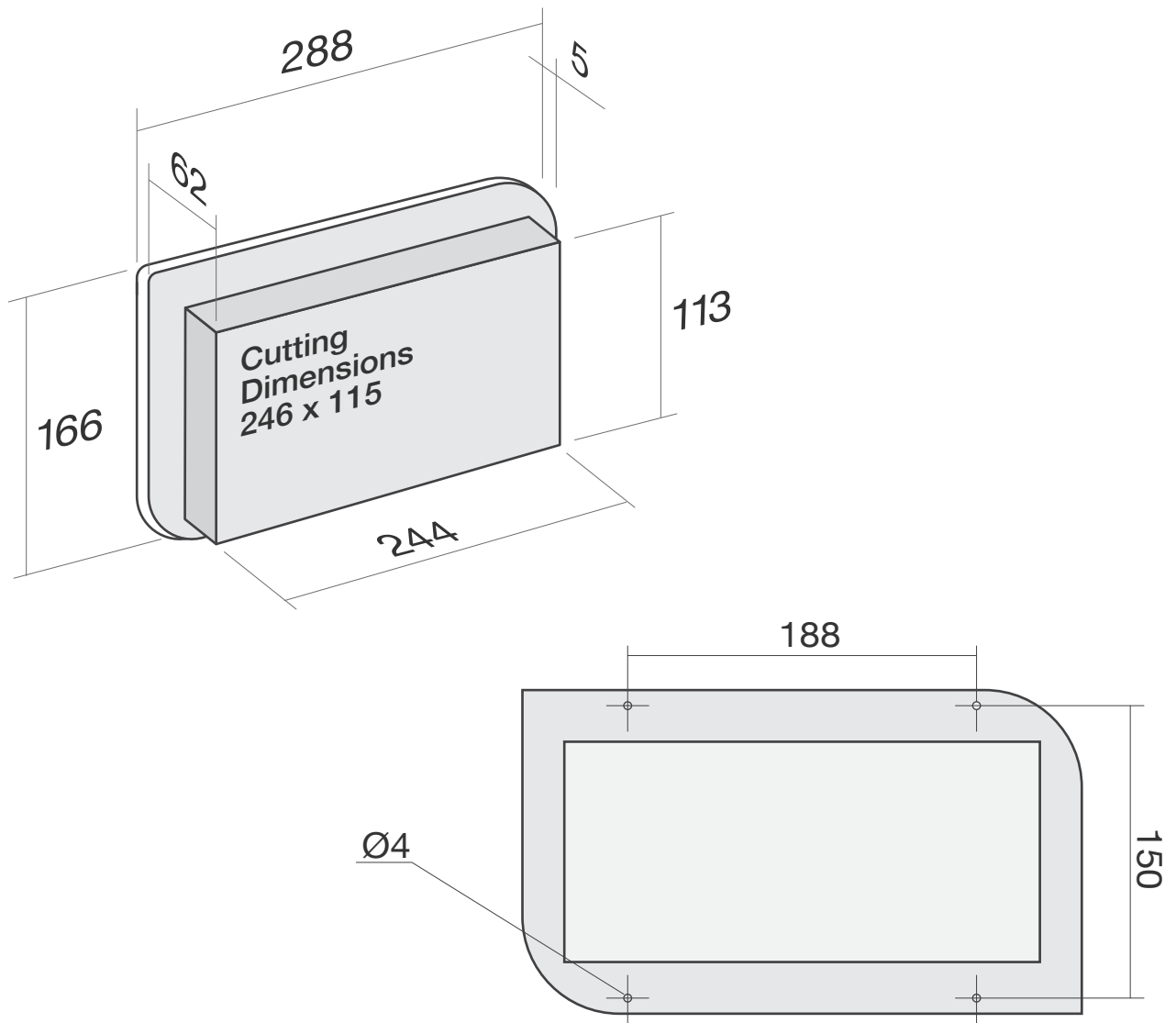
Operating Voltage	24 VDC
Power Consumption	15 Watt
Operating Temperature	0~60 °C
Operating Humidity	%20~%95 (Non condensing)
Processor	ARM 11 CPU Core
Screen Size	7" RGB TFT
Screen Resolution	800x480
USB 2.0 (Rear Face)	1
RS485 Communication port	1

Felis-W3

Tumble Washer Controller



Dimensions (mm)



TWE-02

Tumble Washer Controller

