

Felis-W4

Tumble Washer Controller

It is a control panel for industrial washing machines designed for heavy industrial conditions. Resistant to vibration and dust. It has 100 programming capacity and 9 working stages. The design of the controller is customized according to the needs and designed according to the customer's demands.



- Professional serial controller with 800x480 7" LCD display.
- User-friendly operation with 7" display and keypad.
- Fast commissioning with direct connection.
- On board level sensor allows water level control (No need external sensor)
- User programs support, troubleshooting with pictures and descriptions, diagnostic control and flexible use with extensive parameter list.
- Backup and restore via USB (programs, parameters, database, version update, etc.)
- Quick access to frequently used programs with 5 memory keys.
- Suitable for heating / steam heating.
- Suitable for coin operated.
- Support for Tilting, Helms protocol, Wet cleaning, Washing hold support.
- Sequential program execution
- AC-Drive, balance detection and laundry weight control via Modbus RTU.
- Ethernet connection with OPC-UA and JENSEN cockpit support, remote control.
- Ability to communicate with many data collection services with OPC-UA.

Felis-W4

Tumble Washer Controller



Inputs / Outputs

Analog Input	Onboard Level Sensor (Hydrostatic 0-100 cm)	1
	Temperature Sensor Input (-10~100 °C)	1
Digital Input	5-24V DC	16
Counter Input	5-24V DC 1 KHz	1
Digital Output	24V DC 1A Relay NO	24

Programming

Program Count	16 Default Programs	100
	84 User Programs	

Technical Specifications

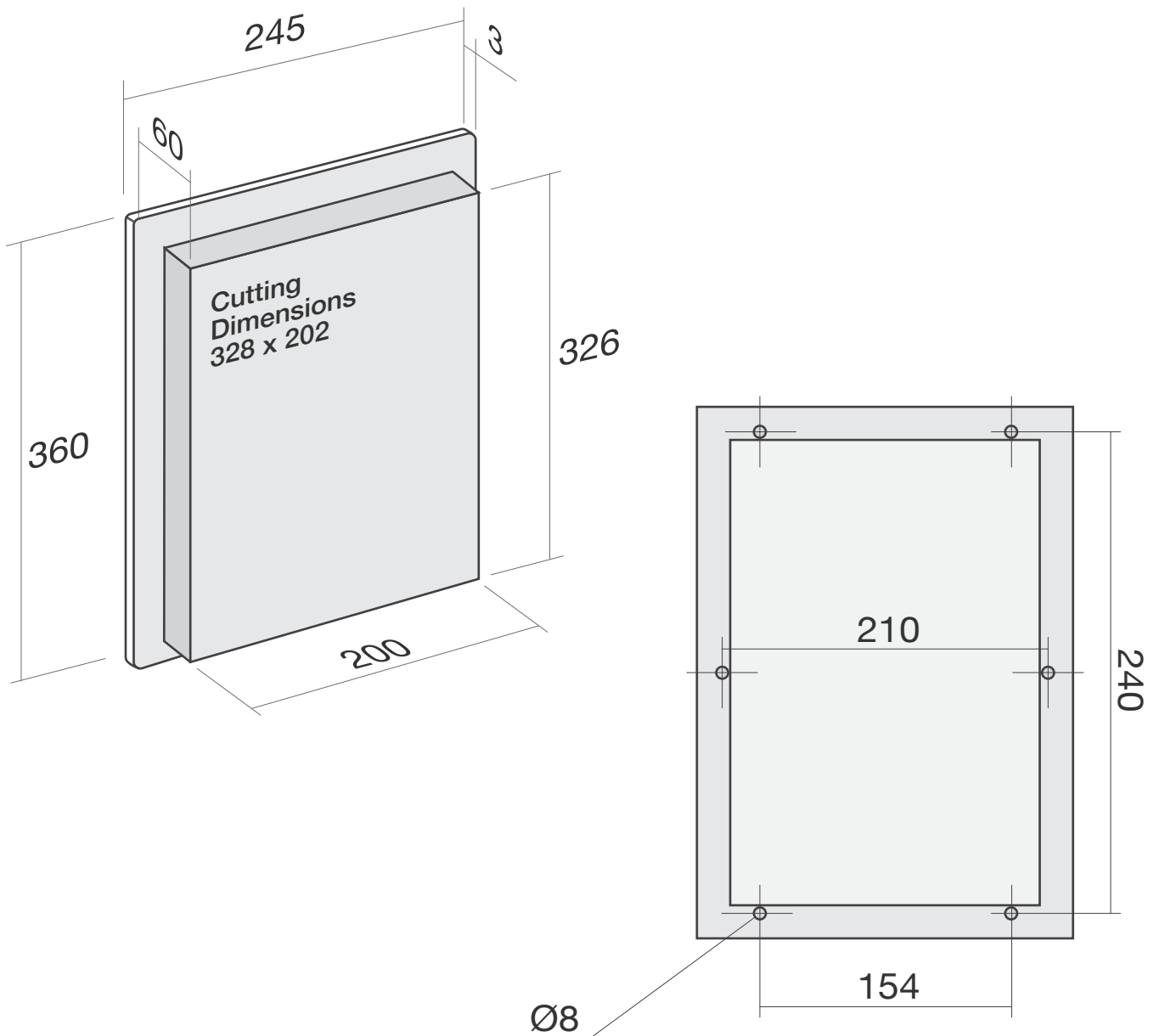
Operating Voltage	24 VDC
Power Consumption	15 Watt
Operating Temperature	0~60 °C
Operating Humidity	%20~%95 (Non condensing)
Processor	Linux Embedded CPU
Screen Size	7" TFT
Screen Resolution	800x480
Ethernet	10/100 Mbit
USB 2.0	1
RS485 Communication port	1

Felis-W4

Tumble Washer Controller



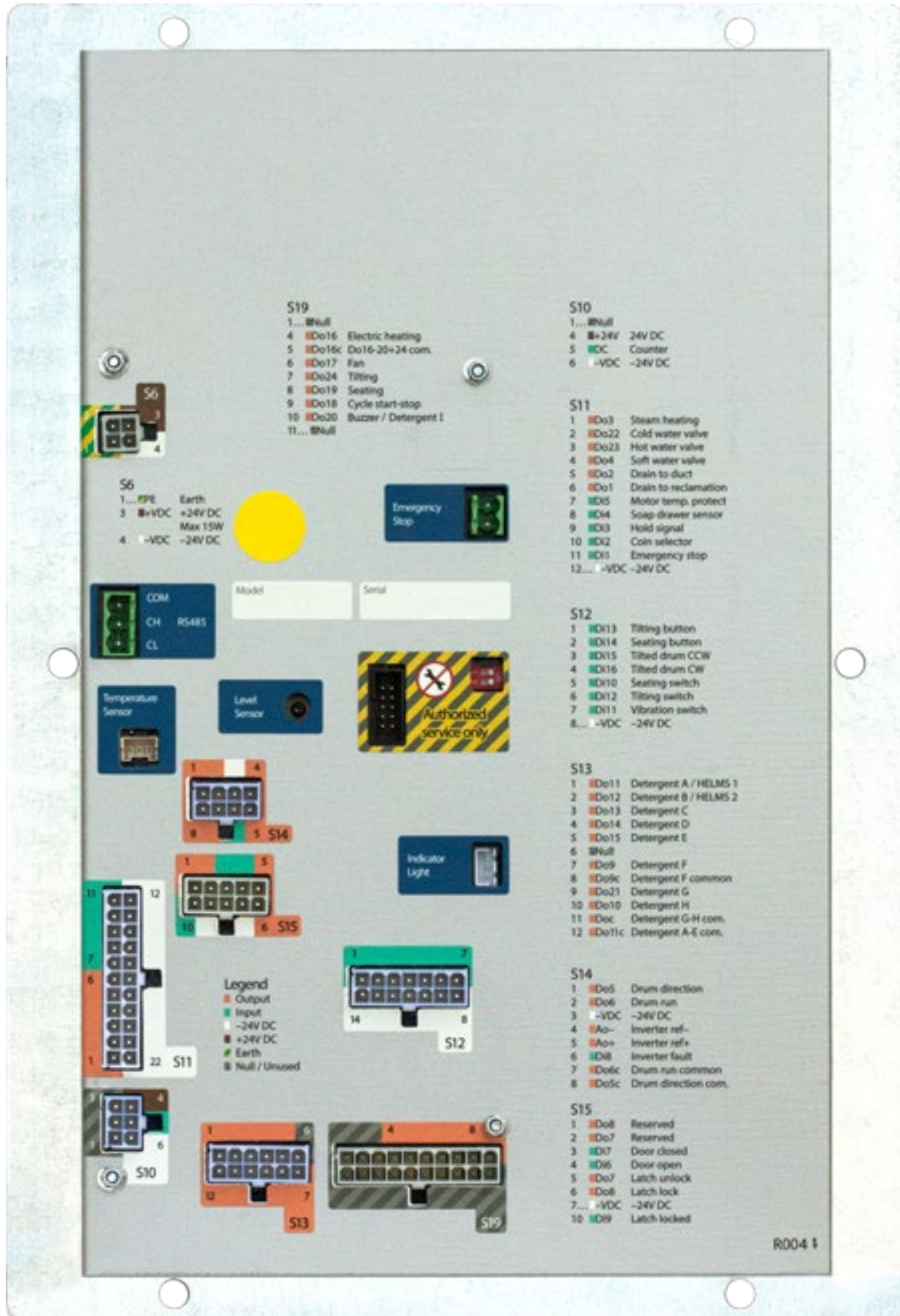
Dimensions (mm)



Konzek Technology can make changes in product specifications without prior notice.

Felis-W4

Tumble Washer Controller



Konzek Technology can make changes in product specifications without prior notice.